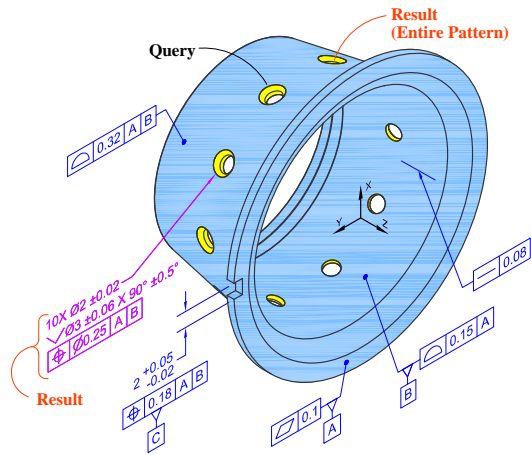


Our Approach



g. Model Geometry Query:
Feature in a Pattern

Leading-Edge Training Materials

We are leading providers of 3D Model-Based Product Definition and 3D Model-Based Business Process training and consulting.

We help companies optimize their business processes to make maximum use of 3D Solid Model data during design, manufacturing, inspection, service, and all internal and external processes, including the supply chain. We help companies reduce or eliminate the need for traditional 2D engineering drawings entirely.

Our goal is to help you and your staff compete in the competitive global economy and to help you achieve the highest level of quality and productivity. The business processes of the 21st century should reflect 21st century methods. It's time to step up to MBD360 LLC!



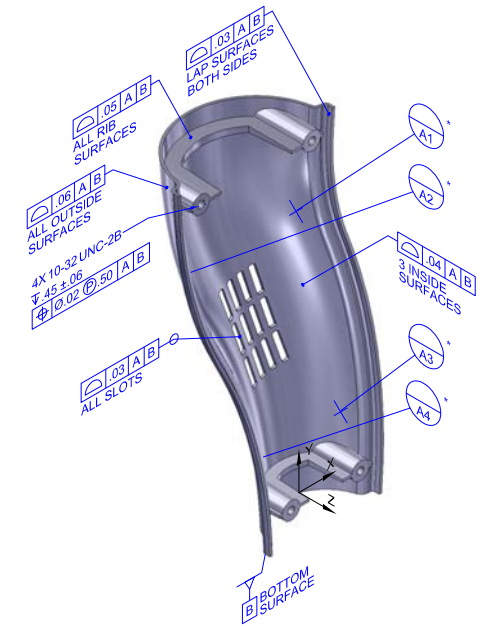
MBD360 LLC

16004 SW Tualatin-Sherwood Rd. #163
Sherwood, Oregon, USA 97140

Contact: Bryan R. Fischer
Phone: 1.503.625.2480
Email: contact@mbd360.com
Website: www.mbd360.com



MBD360 LLC



Leaders in

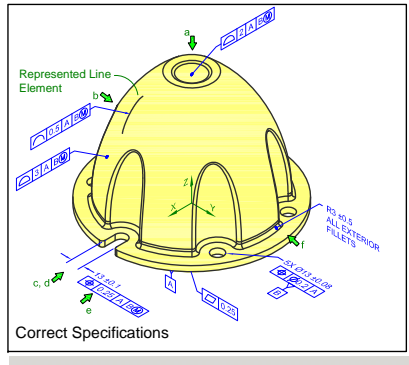
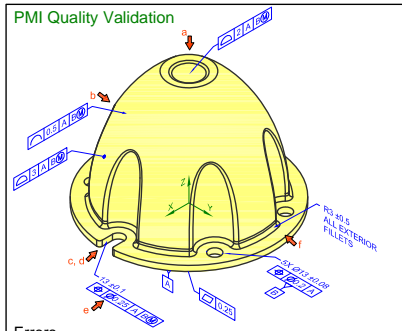
3D Model-Based Training and Consulting Services

3D Model-Based Product Definition (3D-MBD)

3D Model-Based Product Enterprise (3D-MBE)

3D Model-Based Business Process Development, Implementation, & Optimization

Phone: 1.503.625.2480



Leading-Edge Materials

Who We Are

MBD360 LLC offers leading-edge Training and Consulting in 3D Model-Based Product Definition, 3D Model-Based Enterprise, 3D Model-Based Business Processes and related topics to companies worldwide.

Bryan R. Fischer is a recognized author, expert, a member of many international ASME and ISO standards committees involved with GD&T, 3D processes, STEP and other engineering standards. Bryan has written many books on GD&T, Tolerance Analysis, 3D MBD and Engineering Standards, and is a leading researcher in the area of 3D MBD and MBE.

We are dedicated to helping you improve your designs, your processes, and your bottom line.

Our Products and Services

Offering products and services related to 3D Model-Based Product Definition, 3D Model-Based Business Process Development, 3D Standards (ASME Y14.41, ISO 16792, ISO 10303, EAS and NAS (LOTAR), corporate standards) and Implementation.

Services

- **Training Courses**
Standard & Customized Content
 - 3D Model-Based Process Definition Optimization Workshops
 - 3D Model-Based Product Definition (3D MBD) Workshops
 - 3D Model-Based Enterprise (3D MBE) Workshops
 - Workshops may be per ASME Y14.41, ISO 16792, Industry standards, and Corporate standards as requested
 - 3D Model-Based Transition and Implementation Strategies – Moving from Drawing-Based to Model-Based Processes
 - Drawing, Modeling & Design Standards
 - Comparison of ISO & ASME Standards
 - Ensuring Model & Drawing Data Quality
 - Understanding Drawings & Models
- **Consulting Services**
 - Development & Optimization of Model-Based Practices (MBx) and Corporate Standards
 - Oversight, Assistance, and Guidance with Planning for and Transition to MBx
 - Oversight, Assistance, and Guidance with Implementation of MBx
 - Legal Issues Pertaining to MBx
 - Optimizing and Managing MBx Processes in the Product Lifecycle and the Supply Chain

Products

- **Training & Reference Manuals & Workbooks**
 - *IHS Global Drawing Requirements Manual – 11th Edition – Chapter 26 Digital Data Sets and 3D Solid Modeling*
ISBN 978-1-57053-002-9
 - *The Journeyman's Guide to Geometric Dimensioning & Tolerancing*
 - *GD&T Update Guide: ASME Y14.5-2009*
ISBN 0-9843153-0-6
 - *GD&T Visual Glossary with At-A-Glance Sheets™*
 - *Mechanical Tolerance Stackup and Analysis*
CRC Press, ISBN 0-8247-5379-8
 - *Tolerance Stackups, Tolerance Analysis & Tolerancing: Plus and Minus Edition*
 - *Tolerance Stackup Workbooks: for GD&T & ±*
All Books written/edited by Bryan R. Fischer.
Published by Advanced Dimensional Management Press except as noted.
- **Software**
 - *IDA-STEP Viewer and GD&T Editor*
 - Apply & edit GD&T and PMI on 3D STEP Models
 - Fully Semantic – full data interoperability
 - Supports 3D MBD and 3D MBE implementations
 - Works without a CAD system
 - *Tolerance Stackup Software Toolset*
 - Worst-Case/Statistical Reporting Tool
 - Fixed & Floating Fastener Tools
 - Coordinated with books and courses
 - Works with Excel 2003, 2007 and 2010

Contact

*For information, proposals and materials.
We want to be your supplier of choice.*

MBD360 LLC

16004 SW Tualatin-Sherwood Rd. #163
Sherwood, Oregon, USA 97140

Phone 1.503.625.2480
Email contact@mbd360.com
Website www.mbd360.com